

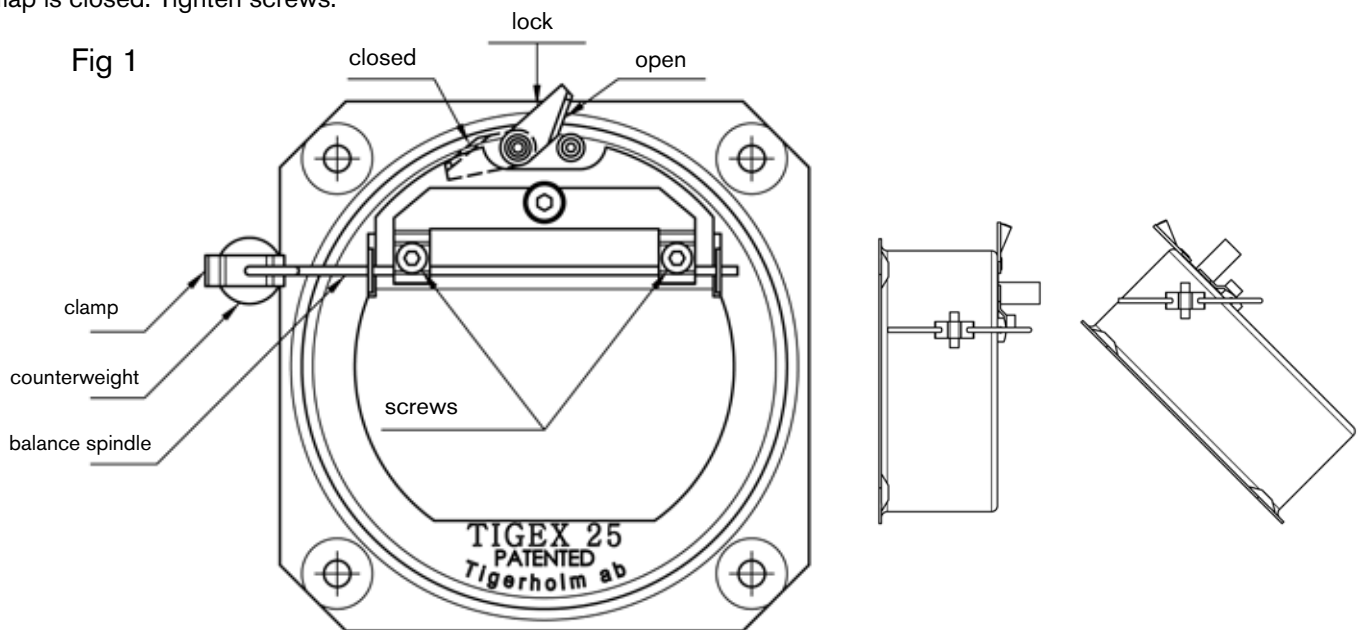
TIGEX 25 - Draught Stabiliser

Installation

Draught regulators are intended to reduce condensation in chimneys and to ensure proper draught conditions. The installer or property owner should confirm that the proper balance is reached. The design of the Tigex makes it possible to install on smoke pipes in all possible positions; angled, vertical as well as horizontal. The Tigex can be fitted on an attachment plate, which replaces the cleaning door. Possible leaks can easily be sealed off with putty or other suitable sealing substances. On installations where the adapter is removable, for example on a soot door, use non-combustible seal. In permanent installations the adapter is to be sealed to the flue pipe with boiler putty.

Counter balancing the flap

After installation, the two screws should be loosened and the balance spindle turned to a horizontal position when the flap is closed. Tighten screws.



Adjustment of negative pressure

Adjustment of the negative pressure which opens the flap is made by pressing the clamp on which the weight is fitted and moving it along the spindle. The negative pressure is changed approx. 1 Pa for every two mm the weight is moved, see fig. 2. The values are approximate and must be controlled with a draught indicator if exact negative pressure is required. The flap is set at approx. 10 Pa when leaving the factory.

Function

The function of the flap on the Tigex differs depending on the adjustment as well as the draught in the chimney. The draught can vary considerably depending on the chimney dimensions, the weather conditions or if the burner is running or not. This means that the function may vary between different installations, e.g. the flap opens more or less when the burner is running, flutters when the burner starts or a door is being closed, etc.

The need of ventilation in chimneys varies from case to case. Therefore the Tigex must be adjusted according to each specific application.

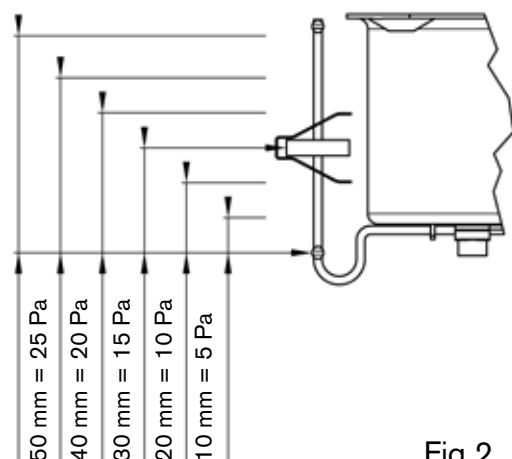


Fig 2

Important!

Please observe and comply with any laws and regulations as well as local installation instructions.