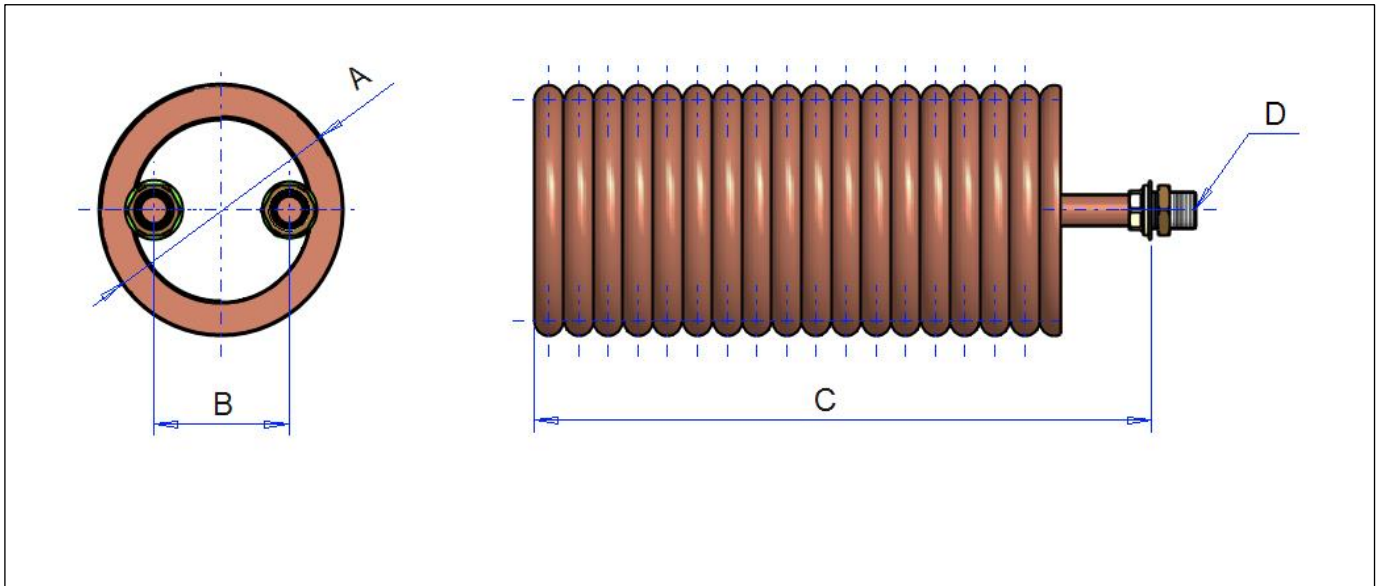


Coil data sheet / Fiche technique

Model: LK S (P05788)



Size / Taille

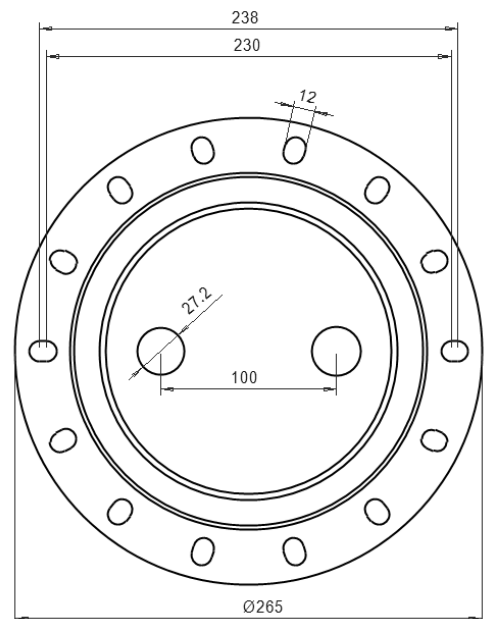
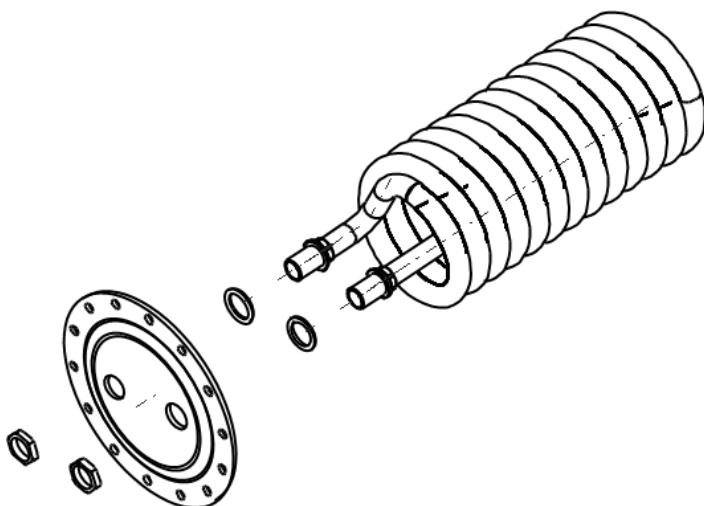
A Diameter / Diamètre :	180mm
B Pipe gap / Écart de tuyau:	100mm
C Length / Longueur:	620mm
D Coupling / Couplage:	G ¾ B (ISO 228-1)

Data

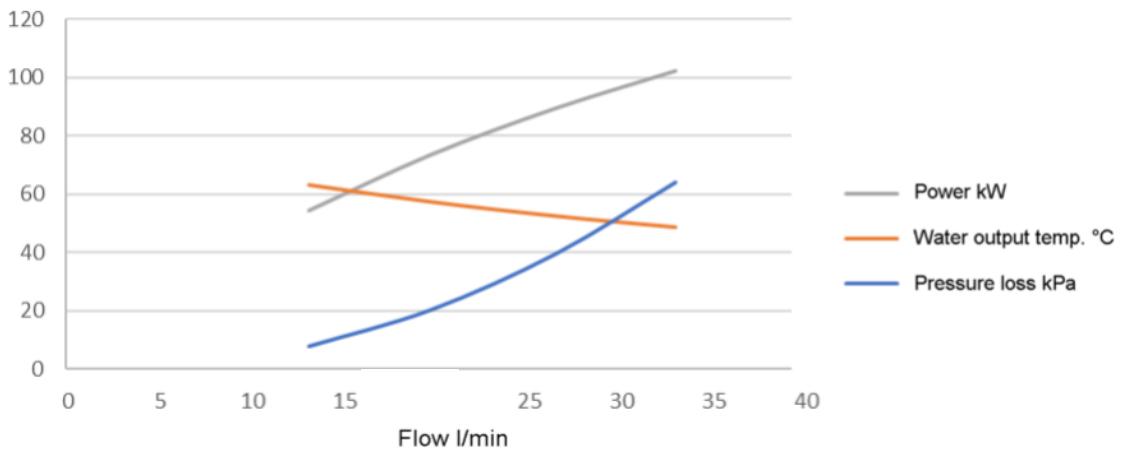
Material / Matériel:	Cu-DHP K21 EN12457
Weight / Poids:	12kg
Surface area / Superficie:	2,4 m ²
Flow / Couler:	27 l/min
Pressure loss / Perte de pression:	48 kPa

Flange / Bride

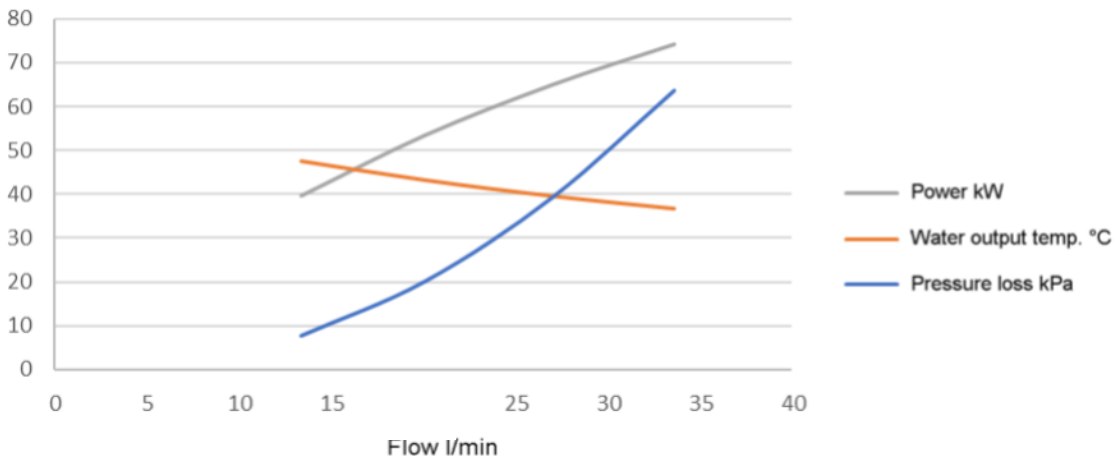
Two alternative flange sizes; 200mm & 300mm.
Deux tailles de bride alternatives; 200 mm et 300 mm.



LK S - Storage temperature 80°C, Incoming water 5°C



LK S - Storage temperature 60°C, Incoming water 5°C



LK S - Storage temperature 40°C, Incoming water 5°C

